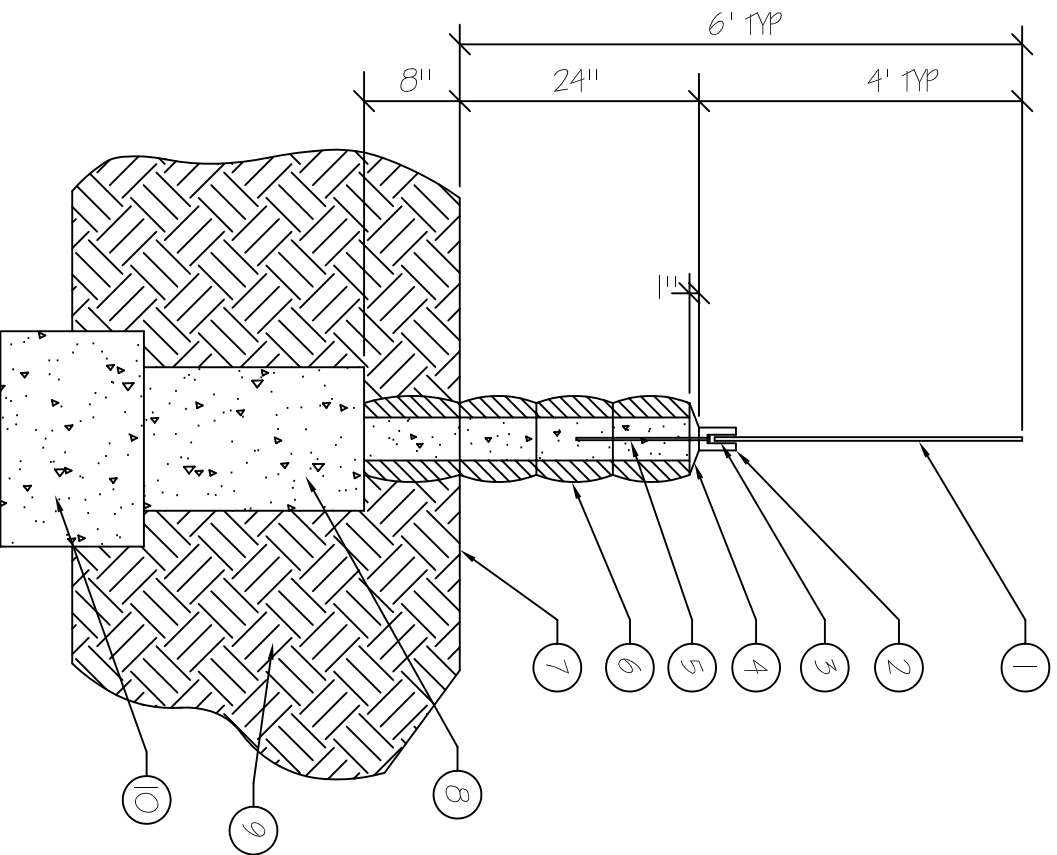


KINSLO®

GLASSWALL SYSTEMS

1533-A E. McFadden
 Santa Ana, CA 92705
 (714) 568-1598
 (714) 568-1599 FAX



FRAMELESS GLASSWALL

SECTION VIEW

NTS

LEGEND

1. 1/2" CLEAR TEMPERED GLASS PANELS.
2. 2-1/2" X 4-1/8" ALUMINUM HEAVY SHOE SILL BY KINSLO.
3. ANCHORING CEMENT.
4. BEVELED MORTAR CAP - ALLOW LEVEL AREA TO ACCEPT CHANNEL.
5. 3/8" ALL-THREAD w/ NUT & WASHER.
6. 8" X 8" X 16" BLOCK MIN.
7. FINISH GRADE - REFER TO CIVIL ENGINEERS PLANS FOR GRADES.
8. CONCRETE TRENCH FOOTINGS - SEE CIVIL ENGINEERS PLANS FOR SIZE AND REINFORCING REQUIREMENTS.
9. COMPACTED SUBGRADE.
10. PIER FOOTING BEYOND - SEE CIVIL ENGINEERS PLANS FOR SIZE AND REINFORCING REQUIREMENTS.

NOTES:

- * REFER TO STRUCTURAL AND CIVIL ENGINEERS PLANS FOR SIZE AND REINFORCING REQUIREMENTS.
- * ALL ALUMINUM HEAVY SHOE SILLS TO BE POWDER COATED WITH BAKED ON POLYESTER PAINT PER CUSTOMER COLOR SPECIFICATIONS.