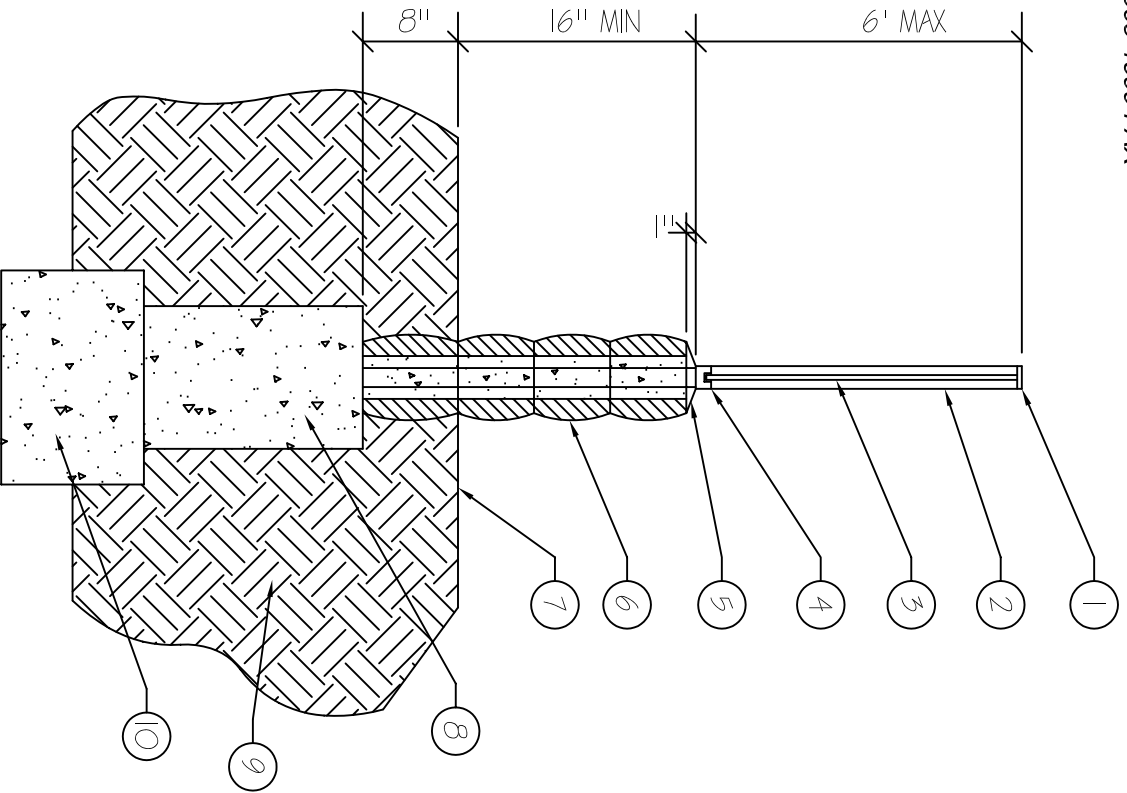


KINSLO®

GLASS WALL SYSTEMS

1533-A E. McFadden
 Santa Ana, CA 92705
 (714) 568-1598
 (714) 568-1599 FAX



SECTION VIEW
 NTS

LEGEND

1. POST CAPS.
2. 2" X 2" 6063-T5 ALUMINUM POST 12"-18" IN WALL PER KINSLO SPECIFICATIONS (714) 568-1598.
3. 1/4" OR 3/8" CLEAR TEMPERED GLASS PANELS.
4. 1-1/2" X 1-1/4" 6063-T5 ALUMINUM CHANNEL SILL BY KINSLO.
5. BEVELED MORTAR CAP - ALLOW LEVEL AREA TO ACCEPT CHANNEL.
6. 8" X 8" X 16" BLOCK MIN.
7. FINISH GRADE - REFER TO CIVIL ENGINEERS PLANS FOR GRADES.
8. CONCRETE TRENCH FOOTINGS - SEE CIVIL ENGINEERS PLANS FOR SIZE AND REINFORCING REQUIREMENTS.
9. COMPACTED SUBGRADE.
10. PIER FOOTING BEYOND - SEE CIVIL ENGINEERS PLANS FOR SIZE AND REINFORCING REQUIREMENTS.

NOTES:

- * REFER TO STRUCTURAL AND CIVIL ENGINEERS PLANS FOR SIZE AND REINFORCING REQUIREMENTS.
- * ALL ALUMINUM MILLIONS TO BE POWDER COATED WITH BAKED ON POLYESTER PAINT PER CUSTOMER COLOR SPECIFICATIONS.