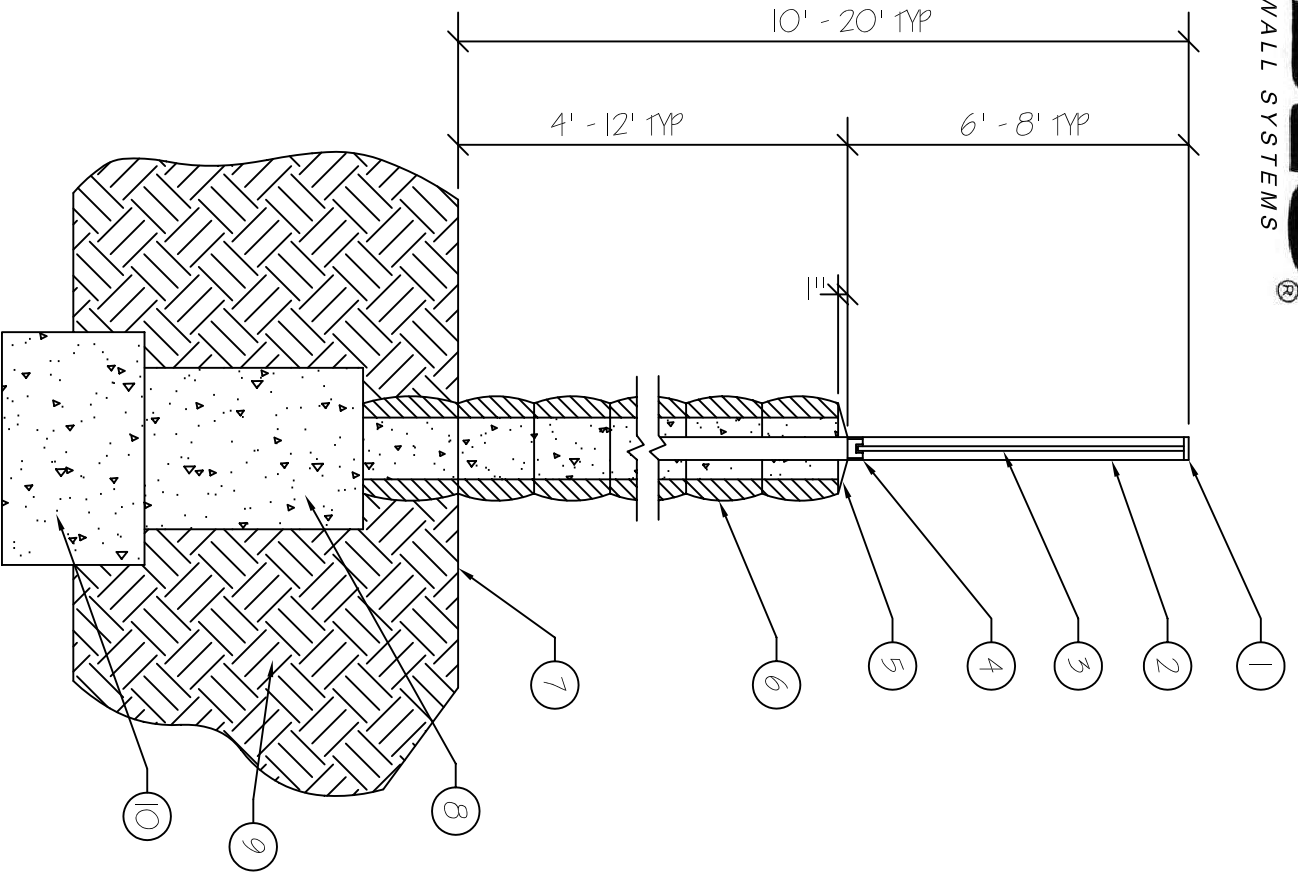


# KINSLO®

GLASSWALL SYSTEMS

1533-A E. McFadden  
 Santa Ana, CA 92705  
 (714) 568-1598  
 (714) 568-1599 FAX



SECTION VIEW  
 NT5

## LEGEND

1. TOP CAP AT METAL POSTS.
2. 3" X 3" ALUMINUM POST 18"-24" IN WALL PER KINSLO SPECIFICATIONS (714) 568-1598.
3. 1/2" - 3/4" CLEAR TEMPERED GLASS PANELS TYP.
4. 2-1/2" X 1-1/2" ALUMINUM CHANNEL SILL BY KINSLO.
5. MORTAR CAP - ALLOW LEVEL AREA TO ACCEPT CHANNEL.
6. 8" X 8" X 16" BLOCK MIN. (PREFER 10" BLOCK)
7. FINISH GRADE - REFER TO CIVIL ENGINEERS PLANS FOR GRADES.
8. CONCRETE TRENCH FOOTINGS - SEE CIVIL ENGINEERS PLANS FOR SIZE AND REINFORCING REQUIREMENTS.
9. COMPACTED SUBGRADE.
10. PIER FOOTING BEYOND - SEE CIVIL ENGINEERS PLANS FOR SIZE AND REINFORCING REQUIREMENTS.

## NOTES:

- \* REFER TO STRUCTURAL AND CIVIL ENGINEERS PLANS FOR SIZE AND REINFORCING REQUIREMENTS.
- \* ALL ALUMINUM MILLIONS TO BE POWDER COATED WITH BAKED ON POLYESTER PAINT PER CUSTOMER COLOR SPECIFICATIONS.